

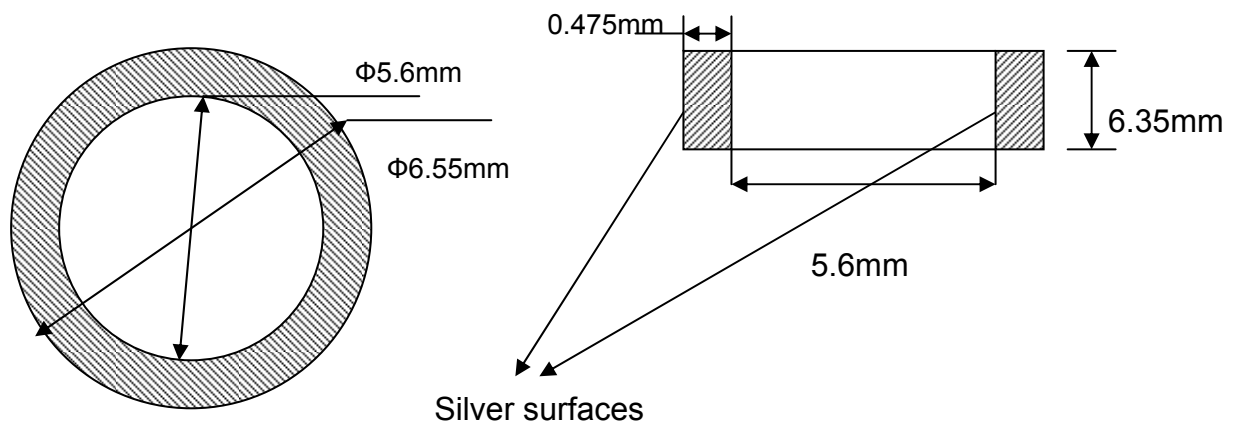
Specification

Tube Piezoelectric Ceramic Transducer

Part No: ANN-P5AT6550560635

Unit: mm

Dimension: $\Phi 6.55 \times \Phi 5.6 \times 6.35$



Piezoelectric Material: PZT-5A

Polarizing : Radial

Electrical Characteristics:

1. Outer diameter:	6.55mm
2. Inner diameter:	5.6mm
3. Height:	6.35mm
4. Resonance frequency (fs):	146KHz
5. Antiresonant frequency (fp):	151KHz
6. Capacitance (C):	3700pf \pm 12.5%
7. K31 :	≥ 0.24
8. d33:	$420 \times 10^{-12} \text{C/N}$