

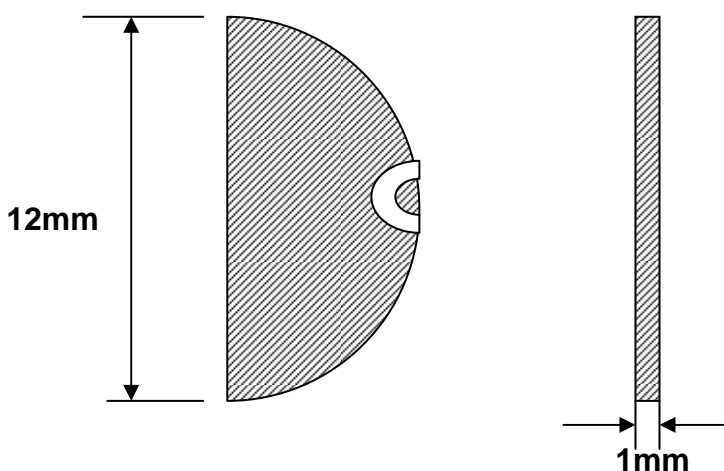
Specification

Piezoelectric Ceramic Element

Part No: ANN-P5AHF12100

Unit: mm

Dimension: $\Phi 12 \times 1$



Material: PZT-5A

Type: Half-Moon

Electrical Characteristics:

- | | |
|--|-----------------------------|
| 1. Diameter | : 12mm |
| 2. Thickness | : 1mm |
| 3. Capacitance | : 900 pf \pm 12.5% |
| 4. Thickness Frequency | : 2.0MHz \pm 5% |
| 5. Dielectric loss (tg δ) | : \leq 2.3% |
| 6. piezoelectric charge constant (d33) | : 400×10^{-12} C/N |
| 7. Coupling Factor (Kp) | : 0.65 |
| 8. Coupling Factor (Kt) | : 0.43 |