

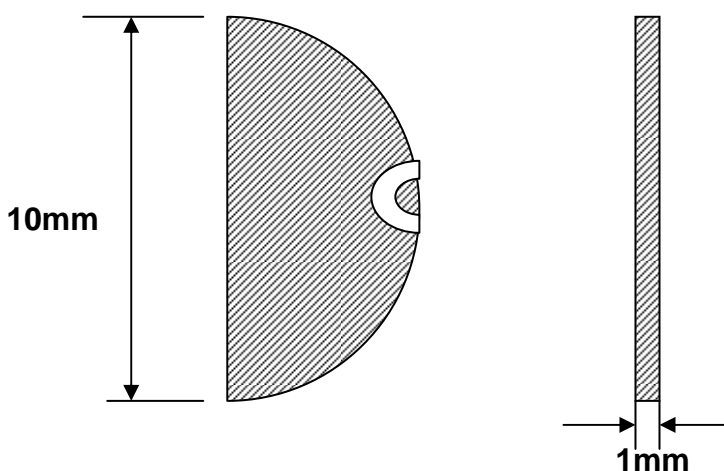
## Specification

Piezoelectric Ceramic Element

Part No: ANN-P5AHF10100

Unit: mm

Dimension:  $\Phi 10 \times 1$



**Material: PZT-5A**

**Type: Half-Moon**

**Electrical Characteristics:**

- |  |                             |
|--|-----------------------------|
| 1. Diameter                            | : 10mm                      |
| 2. Thickness                           | : 1mm                       |
| 3. Capacitance                         | : 650 pf $\pm$ 12.5%        |
| 4. Thickness Frequency                 | : 2.0MHz $\pm$ 5%           |
| 5. Dielectric loss ( tg $\delta$ )     | : $\leq$ 2.3%               |
| 6. piezoelectric charge constant (d33) | : $400 \times 10^{-12}$ C/N |
| 7. Coupling Factor (Kp)                | : 0.65                      |
| 8. Coupling Factor (Kt)                | : 0.43                      |