

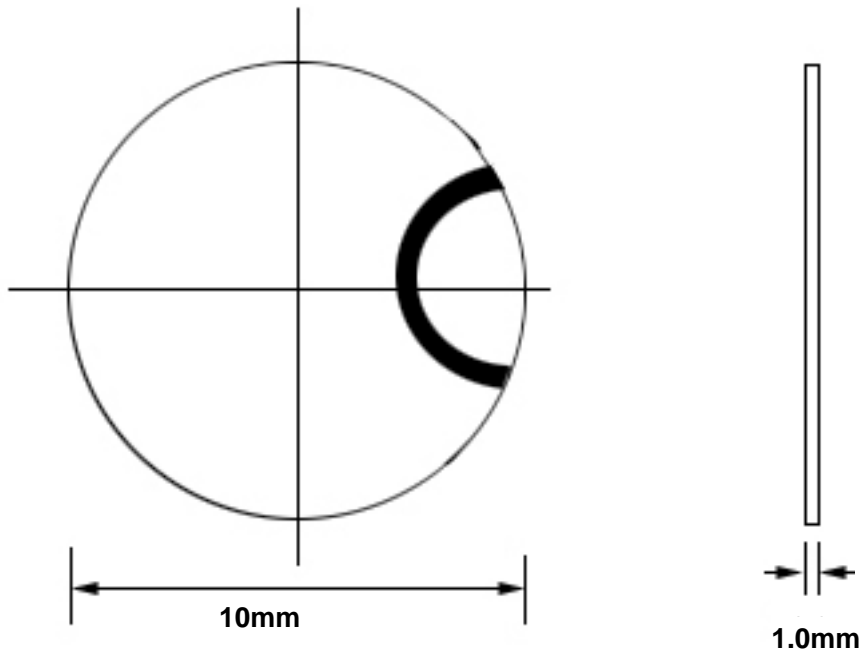
## Specification

Piezoelectric Ceramic Element

Part No: ANN-P5AF1001

Unit: mm

Dimension:  $\Phi 10 \times 1$



**Piezoelectric material : PZT-5A**

**Electrical Characteristics:**

- |  |                             |
|--|-----------------------------|
| 1. Thickness Frequency                 | : 2.0MHz $\pm$ 5%           |
| 2. Capacitance                         | : 840pf $\pm$ 12.5%         |
| 3. Coupling Factor( Kt)                | : 0.43                      |
| 4. Coupling Factor (Kp)                | : 0.65                      |
| 5. piezoelectric charge constant (d33) | : 420 $\times 10^{-12}$ C/N |
| 6. Courier temperature                 | : 350 $^{\circ}$ C          |