

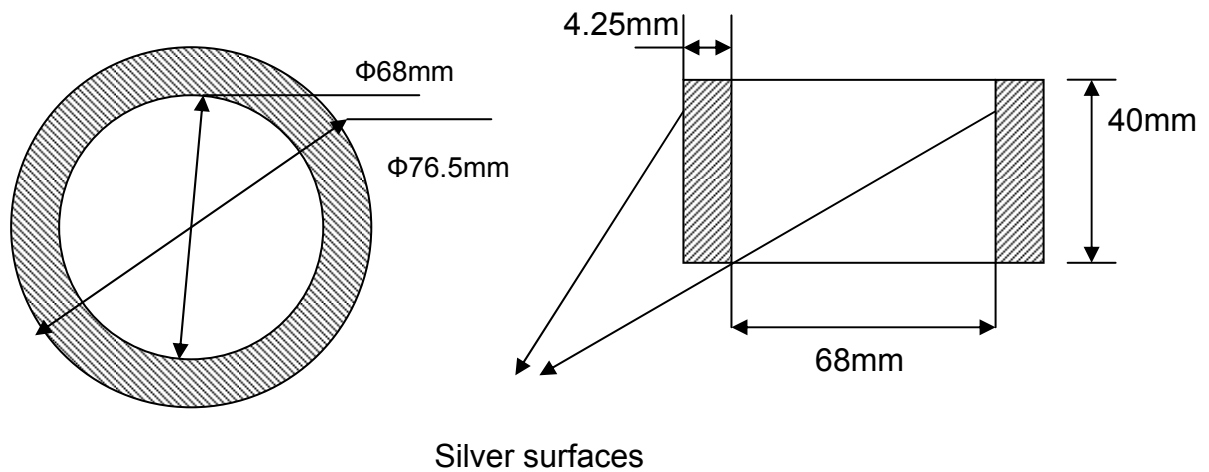
Specification

Tube Piezoelectric Ceramic Transducer

Part No: ANN-P4T765068040

Unit: mm

Dimension: $\Phi 76.5 \times \Phi 68 \times 40$



Piezoelectric Material: PZT-4

Polarize: Radius

Characteristics:

1. Outer diameter:	76.5mm
2. Inner diameter:	68mm
3. Length:	40mm
4. Resonance frequency (fm):	14.6KHz
5. Antiresonant frequency (fn):	15.2KHz
6. Capacitance (C):	19730pf \pm 12.5%
7. Dielectric loss (tg δ):	0.5%
8. K31 :	\geq 0.36