

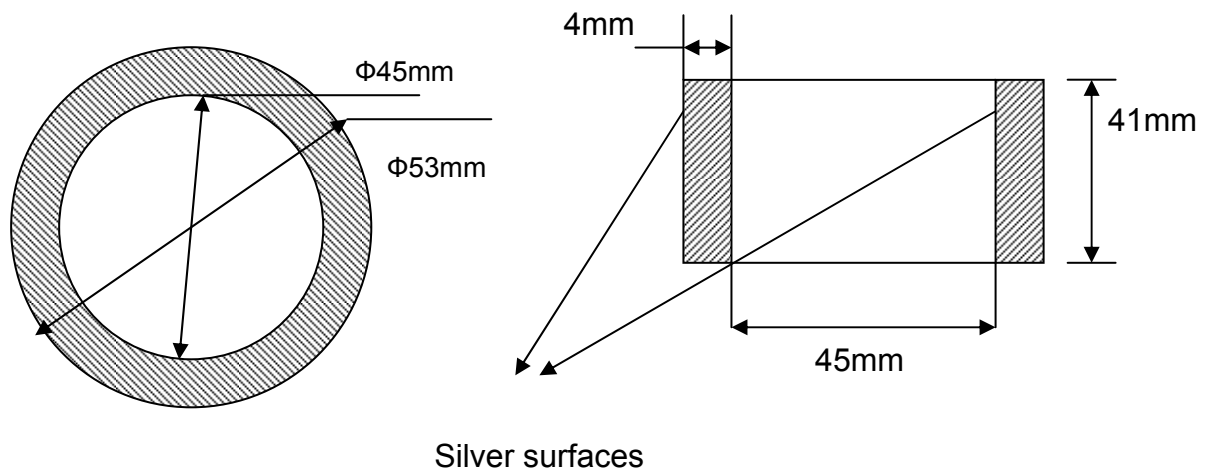
Specification

Tube Piezoelectric Ceramic Transducer

Part No: ANN-P4T534541

Unit: mm

Dimension: $\Phi 53 \times \Phi 45 \times 41$



Piezoelectric Material: PZT-4

Polarize: Radius

Characteristics:

- | | |
|---------------------------------|--------------------|
| 1. Outer diameter: | 53mm |
| 2. Inner diameter: | 45mm |
| 3. Length: | 41mm |
| 4. Resonance frequency (fm): | 17.8KHz |
| 5. Antiresonant frequency (fn): | 22.0KHz |
| 6. Capacitance (C): | 3060pf \pm 12.5% |
| 7. K31 : | \geq 0.36 |