

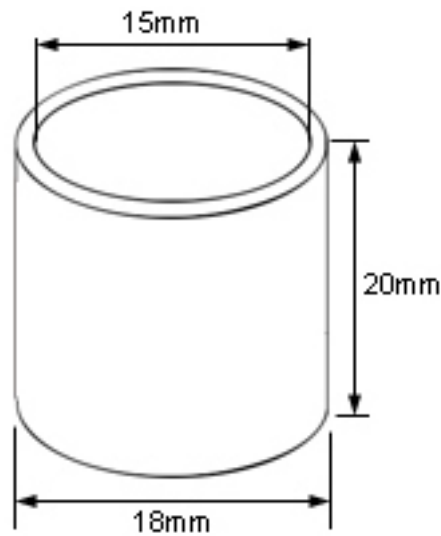
Specification

Piezoelectric ceramic tube transducer

Part No: ANN-P4T181520

Unit: mm

Dimension: $\Phi 18 \times \Phi 15 \times 20$ mm



Piezo ceramic Material: PZT4

Electrical Characteristics:

- | | |
|---|---------------------------|
| 1. Outer diameter: | 18mm |
| 2. Inner diameter: | 15mm |
| 3. Height: | 20mm |
| 4. Resonance frequency (fm): | 63.1KHz |
| 5. Capacitance (C): | 5936pf |
| 6. Dielectric dissipation factor ($\tan \delta$): | 0.2% |
| 7. Piezoelectric charge coefficient (d_{33}): | 280×10^{-12} C/N |
| 8. Electromechanical coupling coefficient (K_{31}): | $0.53 \pm 6\%$ |