

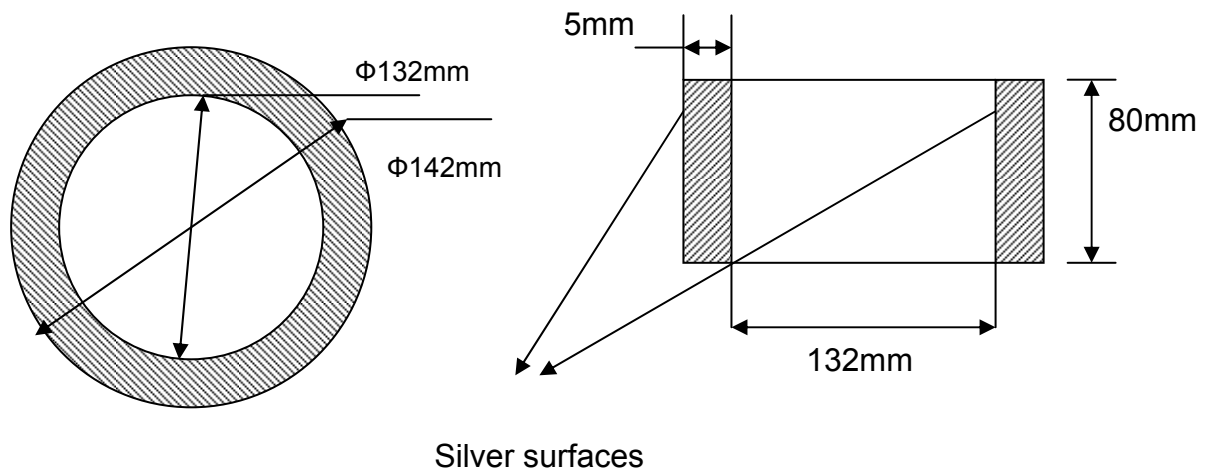
Specification

Tube Piezoelectric Ceramic Transducer

Part No: ANN-P4T14213280

Unit: mm

Dimension: $\Phi 142 \times \Phi 132 \times 80$



Piezoelectric Material: PZT-4

Polarize: Radius

Characteristics:

1. Outer diameter:	142mm
2. Inner diameter:	132mm
3. Length:	80mm
4. Resonance frequency (fm):	7.6KHz
5. Antiresonant frequency (fn):	8.0KHz
6. Capacitance (C):	8635pf \pm 12.5%
7. Dielectric loss (tg δ):	0.5%
8. K31 :	\geq 0.36