

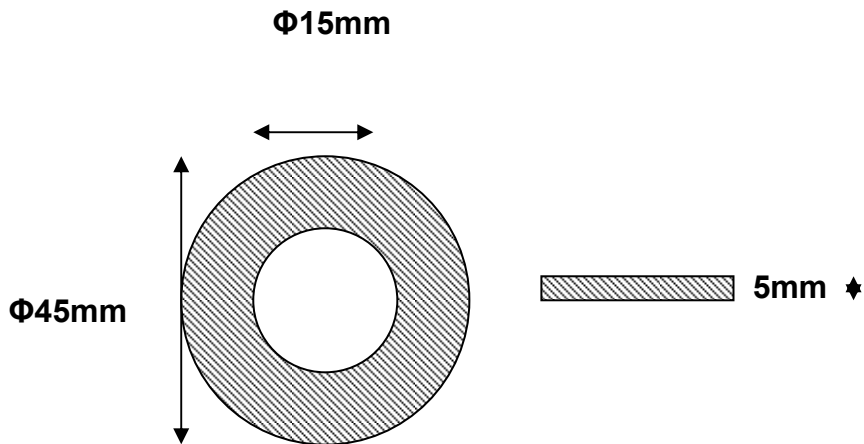
## Specification

Piezoelectric Ceramic Element

Part No: ANN-P4451505

Unit: mm

Dimension:  $\Phi 45 \times \Phi 15 \times 5$



**Piezoelectric Material: PZT-4**

**Electrical Characteristics:**

1. Radial Frequency (fr)	: 37.7KHz $\pm$ 5%
2. Capacitance (C)	: 3180 pf $\pm$ 12.5%
3. Dielectric loss (tg $\delta$ )	: $\leq$ 0.5%
4. Resistance (Zm)	: $\leq$ 15 $\Omega$
5. Coupling coefficient (Kr)	: $\geq$ 0.55
6. Mechanical quality factor (Qm)	: $\geq$ 500
7. Density ( $\rho$ )	: $7.5 \times 10^3$ kg/m <sup>3</sup>