

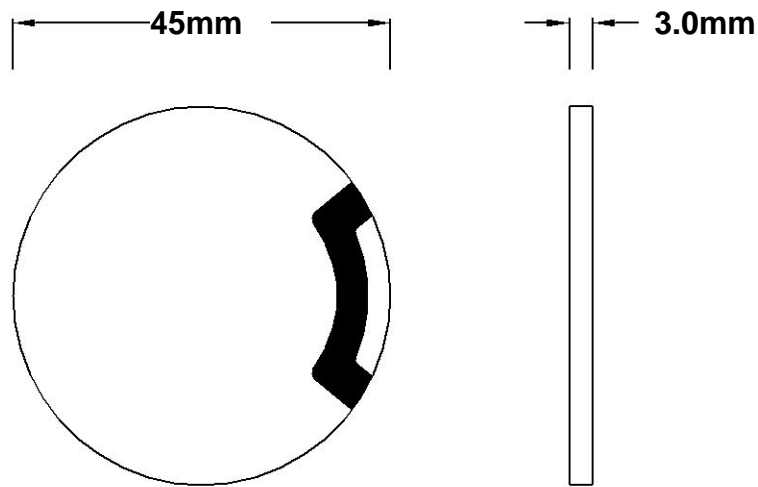
## Specification

Piezoelectric Ceramic Element

Part No: ANN-P4F45030

Unit: mm

Dimension:  $\Phi 45 \times 3.0$  (mm)



**Piezoelectric Material: PZT-4**

**Silver Electrodes: on the same side**

**Electrical Characteristics:**

1. Radial Frequency (fs)	: 50.0±5% KHz
2. Capacitance (C)	: 5100 pf±12.5%
3. Impedance	: $\leq 15\Omega$
4. Electromechanical coupling coefficient (Kr)	: $\geq 0.54$
5. Dielectric dissipation factor ( $\tan\delta$ )	: $\leq 0.50$
6. Piezoelectric charge coefficient ( $d_{33}$ )	: $250 \times 10^{-12} \text{C/N}$
7. Mechanical quality factor ( $Q_m$ )	: $\geq 500$
8. Curie temperature ( $T_c$ )	: 310°C

**ANNON PIEZO TECHNOLOGY CO., LIMITED.**

ADDRESS: ROOM 1701 TOP OFFICE, GILITTERY CITY, NO.3027 SHENNAN RD CENTRAL, SHENZHEN CITY, CHINA.

PHONE: +86-0755-83038178

FAX: +86-0755-83038785

Website: <http://www.annon-piezo.com>

EMAIL: [sales@annon-piezo.com](mailto:sales@annon-piezo.com)