

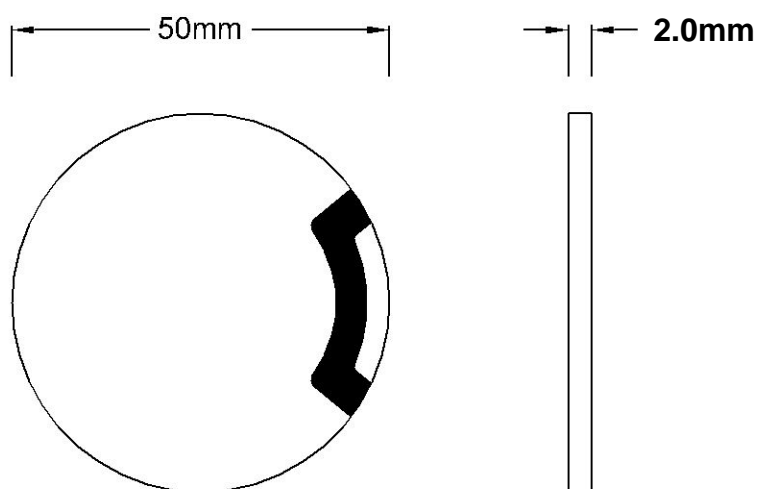
## Specification

Piezoelectric Ceramic Element

Part No: ANN-P4F50020

Unit: mm

Dimension:  $\Phi 50 \times 2$  (mm)



**Piezoelectric Material: PZT-4**

**Silver Electrodes: on the same side**

**Characters:**

1. Thickness Frequency (fr)	: 1.0MHz $\pm$ 5%
2. Capacitance (C)	: 10000 pf $\pm$ 12.5%
3. Resistance	: $\leq 2 \Omega$
4. Electrical-mechanical coupling coefficient (Kt)	: $\geq 45\%$
5. Dielectric loss (tg $\delta$ )	: $\leq 0.3\%$
6. Mechanical quality factor (Qm)	: $\geq 500$
7. Curie temperature (Tc)	: 320 $^{\circ}$ C

**ANNON PIEZO TECHNOLOGY CO., LIMITED.**

ADDRESS: ROOM 1701 TOP OFFICE, GILITTERY CITY, NO.3027 SHENNAN RD CENTRAL, SHENZHN CITY, CHINA.

PHONE: +86-0755-83038178

FAX: +86-0755-83038785

Website: <http://www.annon-piezo.com>

EMAIL: [sales@annon-piezo.com](mailto:sales@annon-piezo.com)