

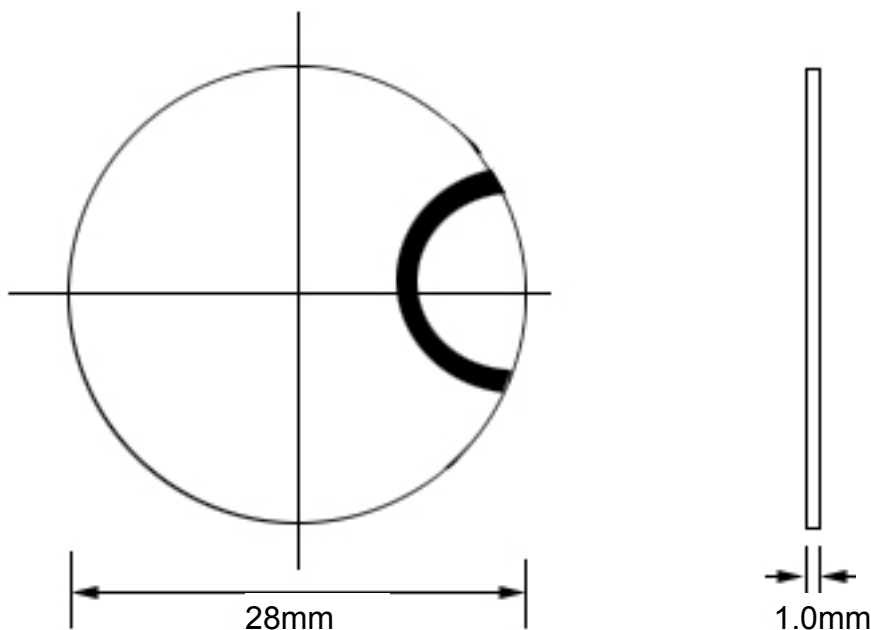
Specification

Piezoelectric Ceramic Element

Part No: ANN-P4F28010

Unit: mm

Dimension: $\Phi 28 \times 1$ (mm)



Piezoelectric Material: PZT-4

Silver Electrodes: on the same side

Characters:

- | | |
|--|-----------------------|
| 1. Thickness Frequency (fr) | : 2.0MHz \pm 5% |
| 2. Capacitance (C) | : 6940 pf \pm 12.5% |
| 3. Resistance | : $\leq 2 \Omega$ |
| 4. Electrical-mechanical coupling coefficient (Kt) | : $\geq 45\%$ |
| 5. Dielectric loss (tg δ) | : $\leq 0.3\%$ |
| 6. Mechanical quality factor (Qm) | : ≥ 500 |
| 7. Curie temperature (Tc) | : 320 $^{\circ}$ C |