

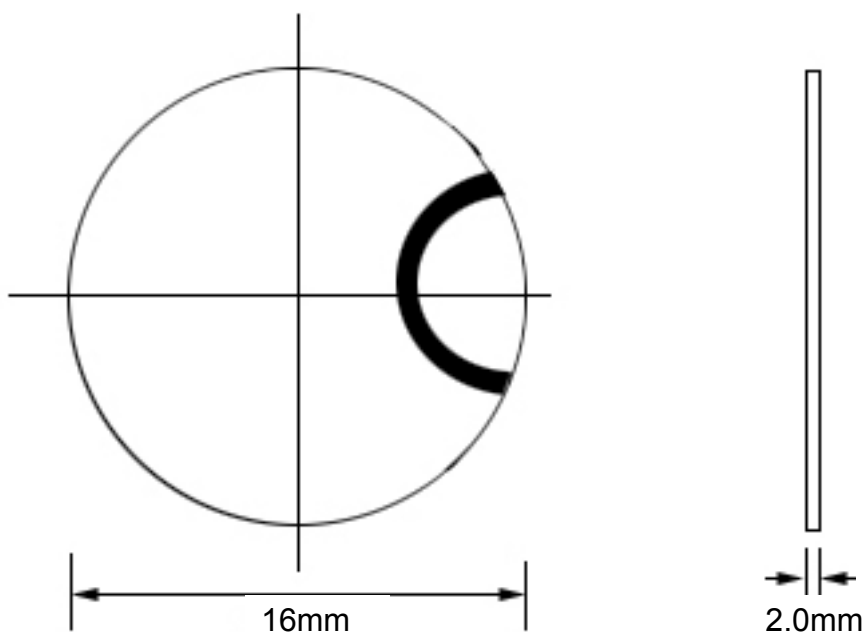
## Specification

Piezoelectric Ceramic Element

Part No: ANN-P4F16020

Unit: mm

Dimension:  $\Phi 16 \times 2.0$  (mm)



**Piezoelectric Material: PZT-4**

**Silver Electrodes: on the same side**

**Characters:**

- |  |                       |
|--|-----------------------|
| 1. Thickness Frequency (fr)                        | : 1.0MHz $\pm$ 5%     |
| 2. Capacitance (C)                                 | : 1000 pf $\pm$ 12.5% |
| 3. Resistance                                      | : $\leq 2 \Omega$     |
| 4. Electrical-mechanical coupling coefficient (Kt) | : $\geq 45\%$         |
| 5. Dielectric loss (tg $\delta$ )                  | : $\leq 0.3\%$        |
| 6. Mechanical quality factor (Qm)                  | : $\geq 500$          |
| 7. Curie temperature (Tc)                          | : 320 $^{\circ}$ C    |

**ANNON PIEZO TECHNOLOGY COMPANY LIMITED.**

ADDRESS: ROOM 1701 TOP OFFICE, GILITTERY CITY, NO.3027 SHENNAN RD CENTRAL, SHENZHN CITY, CHINA.

PHONE: +86-0755-83038178

FAX: +86-0755-83038785

Website: <http://www.annon-piezo.com>

EMAIL: [sales@annon-piezo.com](mailto:sales@annon-piezo.com)